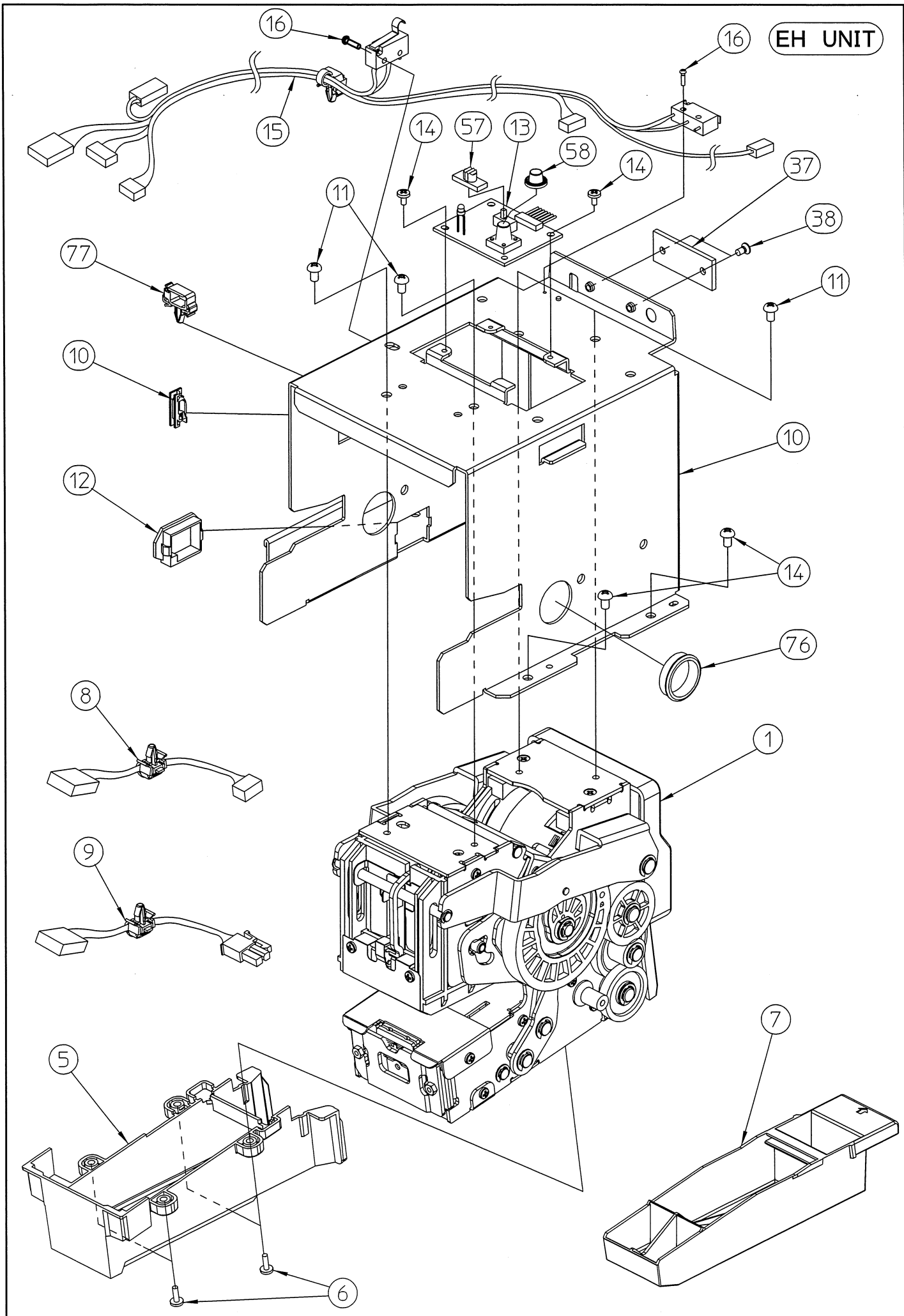
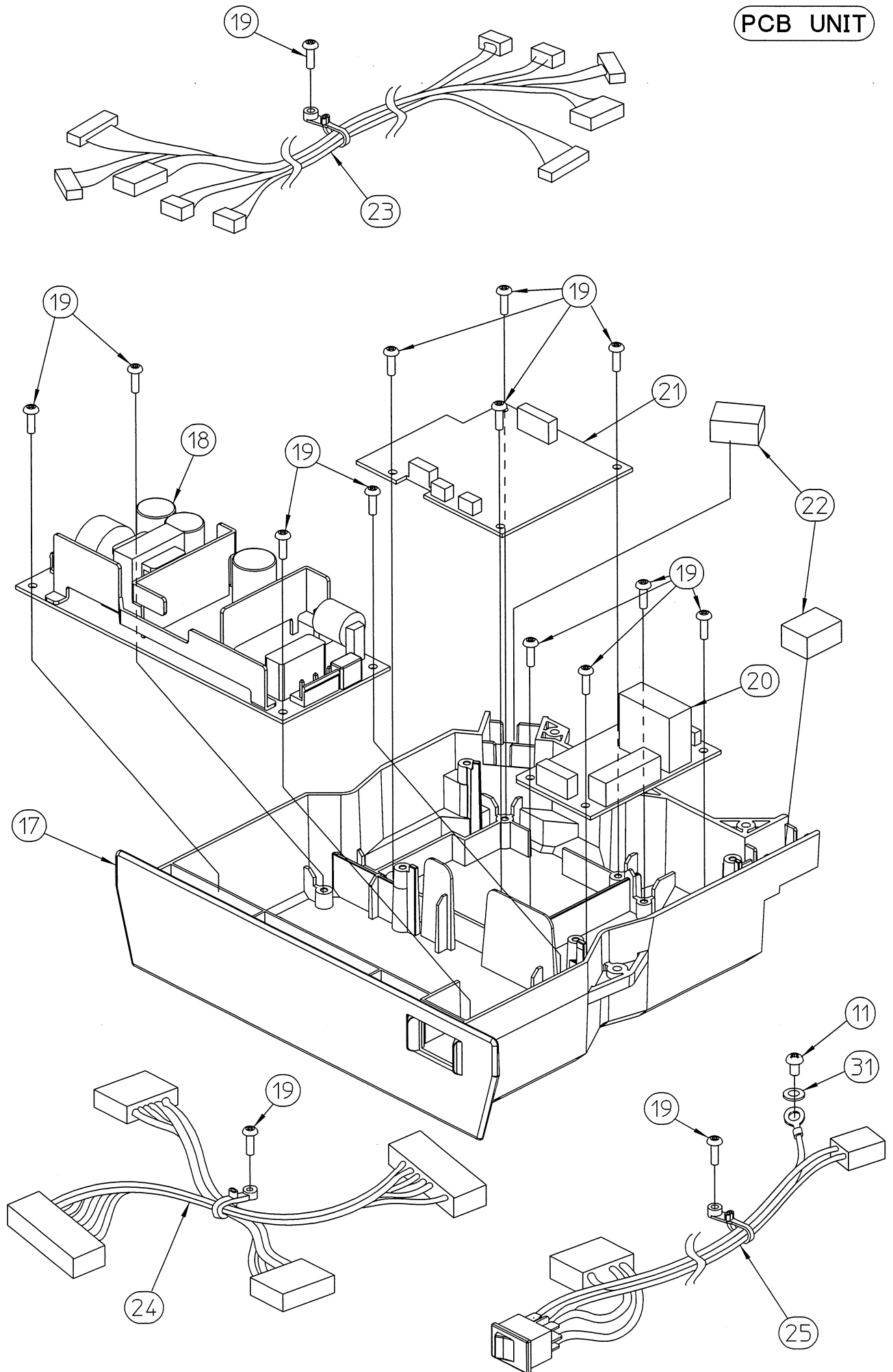


MAX EH-110F

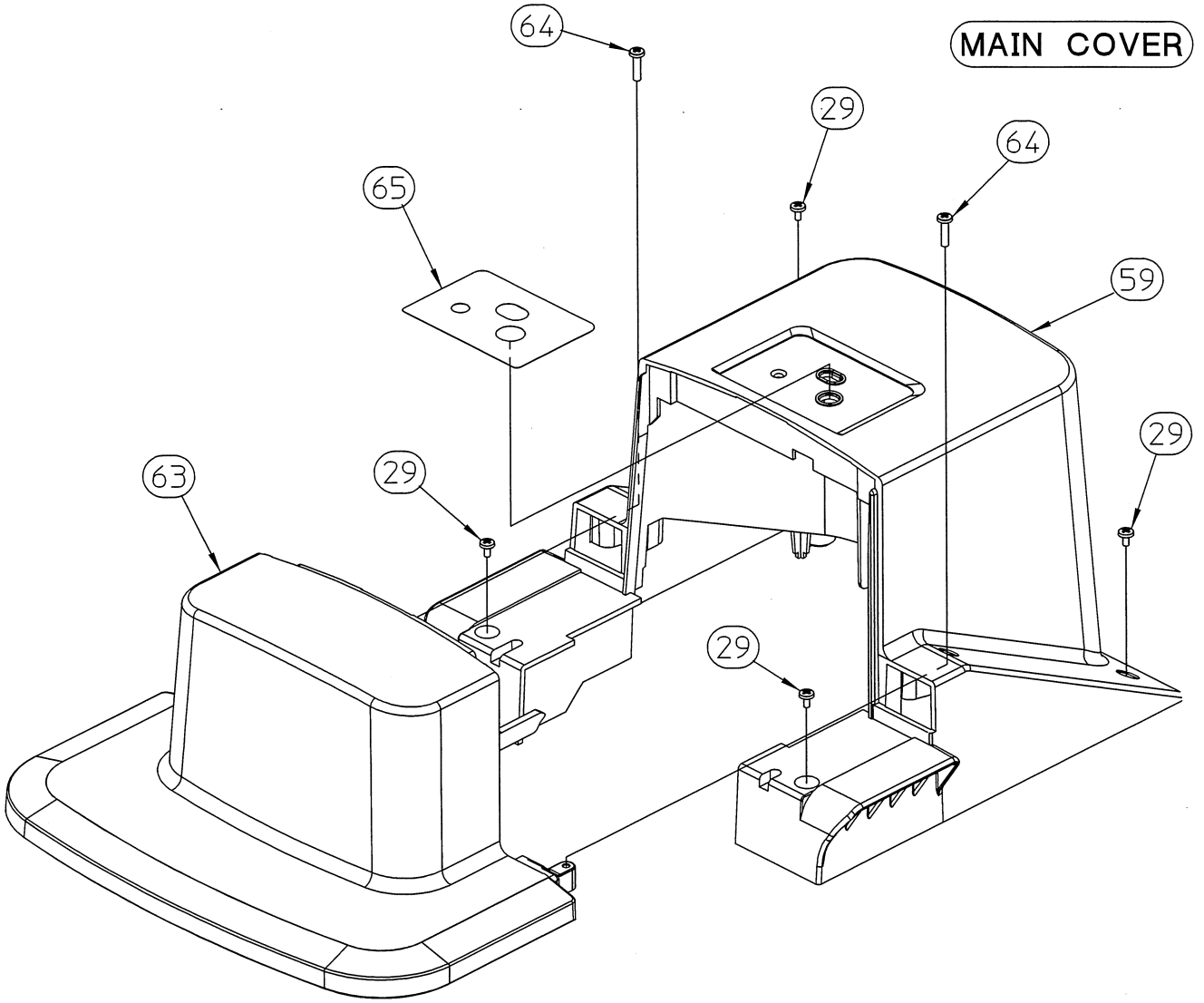
EH UNIT



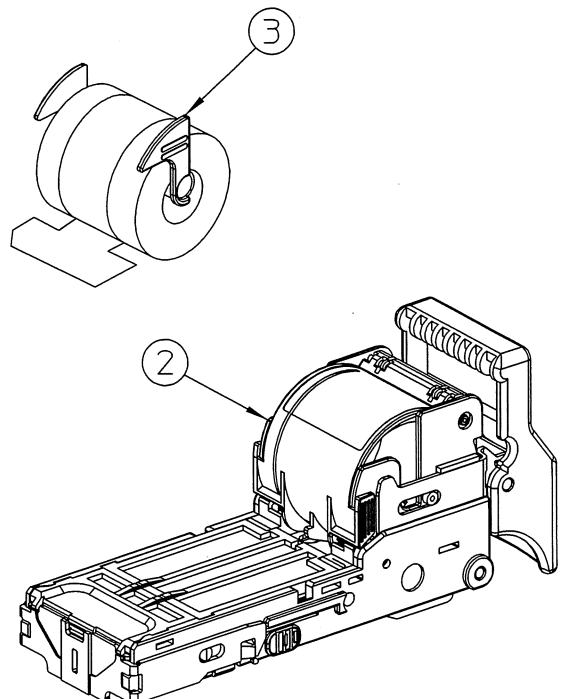
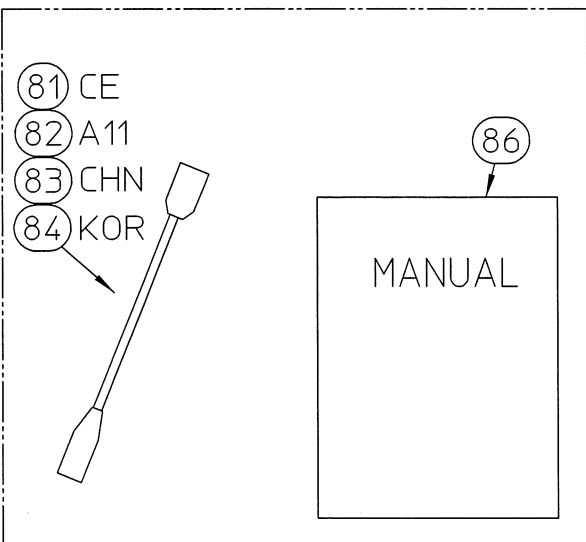
PCB UNIT



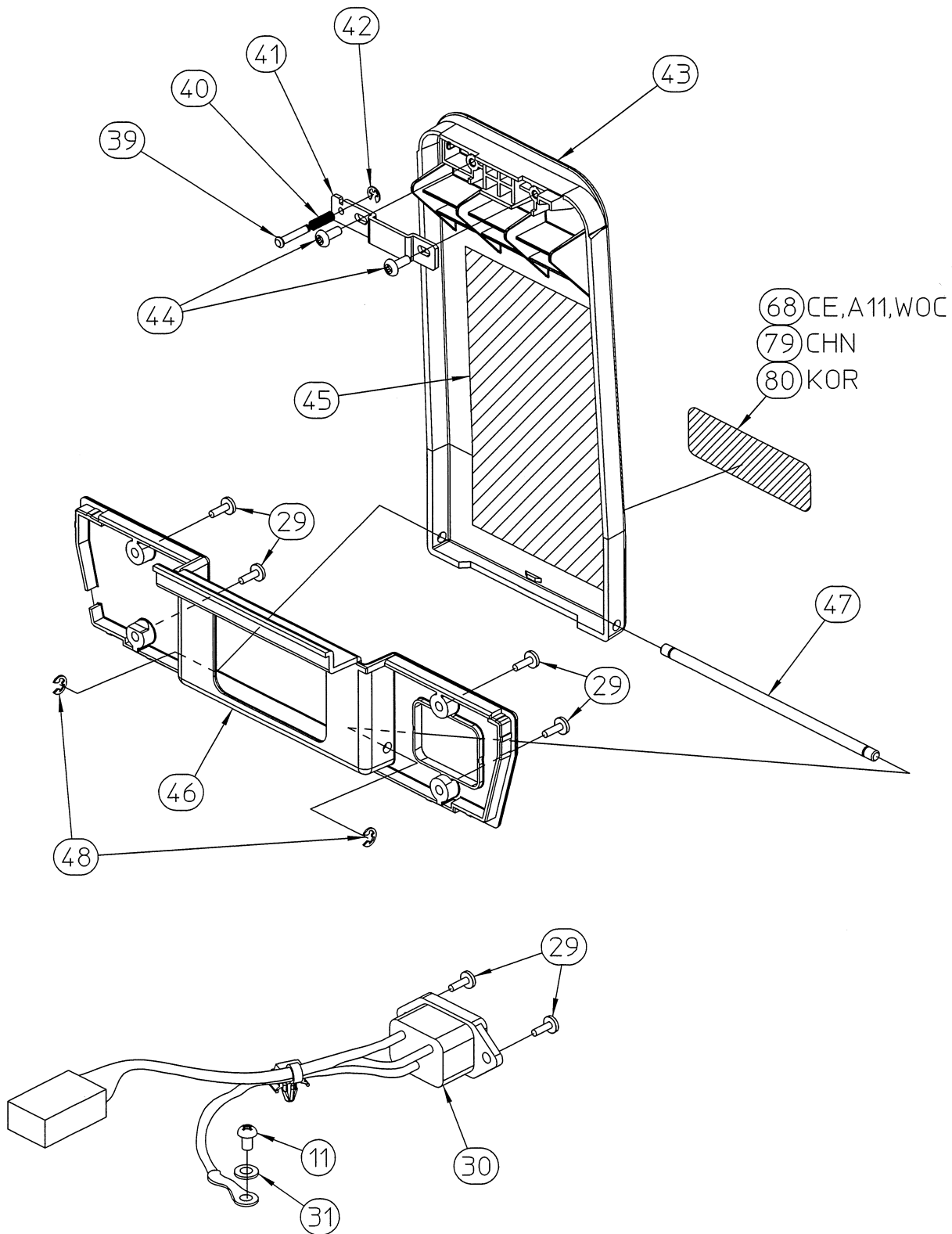
MAIN COVER



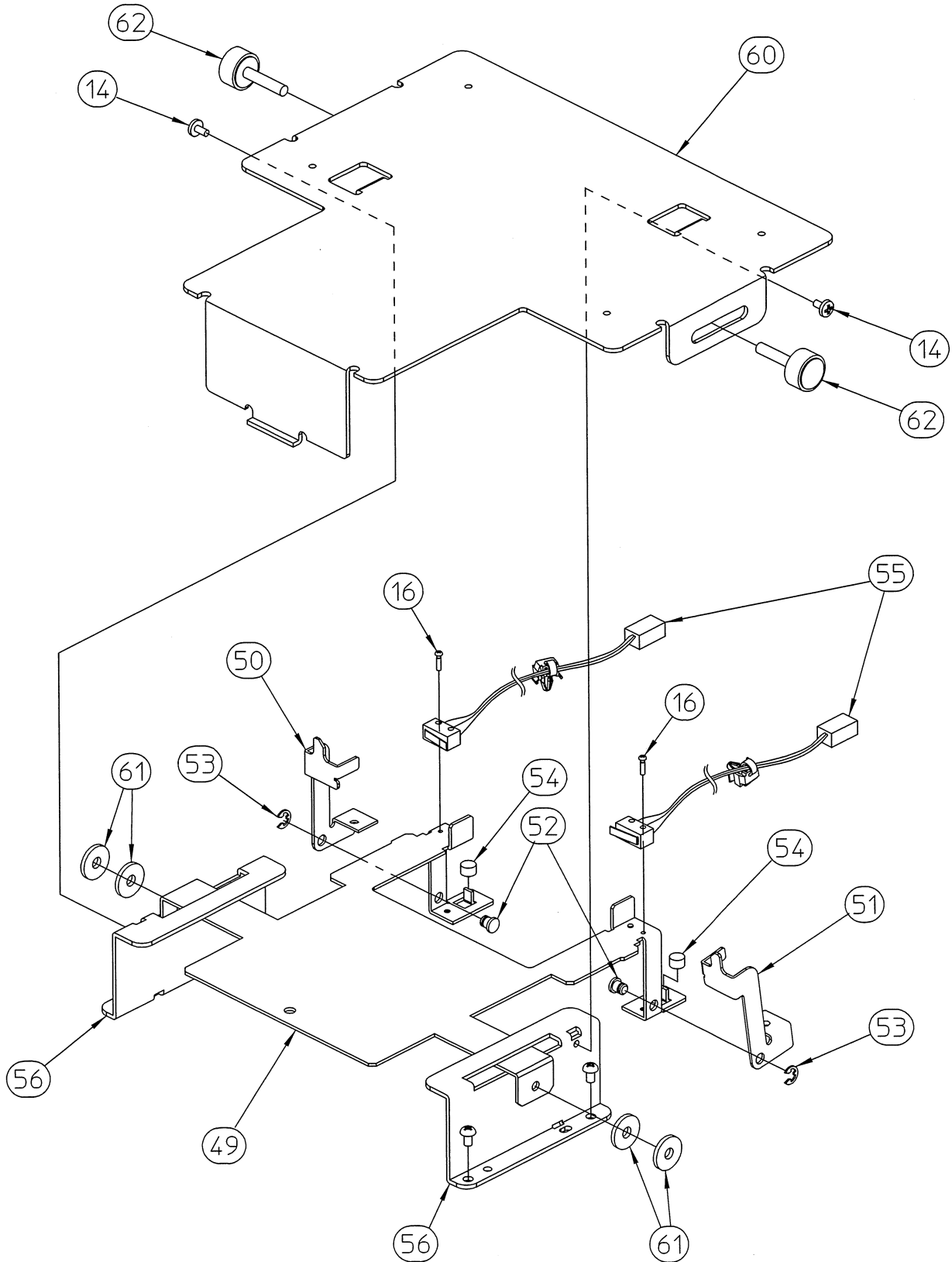
PART, STAPLE



REAR COVER



TABLE



MAX EH-110F

